

Dane aktualne na dzień: 13-04-2026 10:26

Link do produktu: <https://www.nobshop.pl/zestaw-caddx-polar-vista-kit-starlight-digital-hd-do-dji-fpv-system-p-2977.html>



Zestaw Caddx Polar Vista Kit starlight Digital HD do DJI FPV system

Cena brutto	859,99 zł
Cena netto	699,18 zł
Dostępność	Aktualnie niedostępny
Czas wysyłki	1 - 3 dni
Kod producenta	SZ07-K012C; SZ07-K012S
Producent	Caddx FPV

Opis produktu

Zestaw nadajnika Caddx Vista z kamerą Polar do systemu DJI FPV

POLAR VISTA KIT

HD Digital Starlight Camera



1/1.8 inch

Min. illumination: 0.00003Lux

32ms/4km

Low-latency HD image transmission

720p/60fps

Video recorded by the DJI FPV Goggles

7 ms

low latency transmission between the DJI FPV RC and vista

8 Drones

8 drones can be flown simultaneously

Max 50Mbps

Image quality for the DJI FPV Goggles

1/1.8-Inch HD Digital Starlight Sensor

Min. Illumination: 0.00003Lux

Individual pixel size of 5.5 μ m
Excellent low light capability

Polar cam Normal HD cam

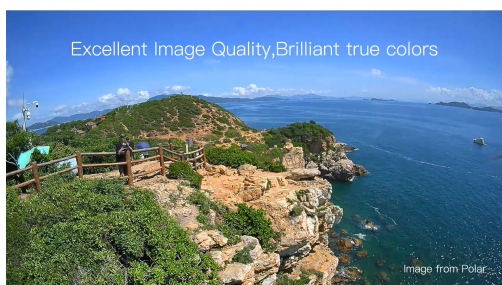
Custom F/1.6 Large Aperture Lens



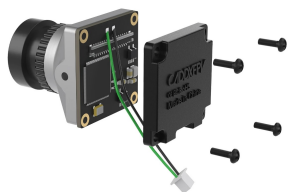
800W Pixels Lens

162° FOV

F/1.6 Aperture



Support brightness and saturation adjustment



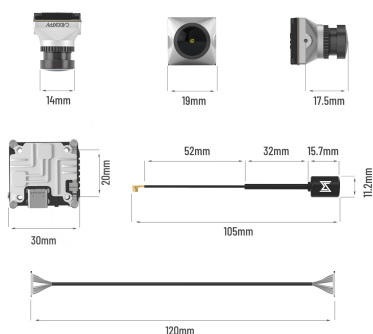
* Menu board needs to be purchased separately.
 * Polar camera supports menu board adjustment, this function needs self-soldering, please be CAREFUL not to damage the camera structure during welding.

New 1.5g lightweight antenna

Radiation efficiency: 98%
 Average gain: 2dbi
 VSWR<1.4



Polar antenna



PRODUCT SPECIFICATIONS

MODEL	Polar vista kit
Weight	Vista Kit(camera included): 28g Antenna: 1.5g
Dimensions	Vista Kit: 30*29*13mm Camera: 18*18*24mm Coaxial Cable: 120mm
Operating Frequency	5.725-5.850GHz
Transmitter Power(EIRP)	FCC/SRRC/MIL: <30dBm CE: <14dBm
Min.latency(end-to-end)	720p 60fps: <32ms
Max.Transmission Distance	FCC/SRRC: 4km;CE: 0.7km
I/O Interface	USB-C,IPEX,3-in-1port
Supported Flight control System	F3,F4,F7
Operating Temperature Range	32° to 104°F (0° to 40°C)
Input Power	7.4-28.4V
Power Output	25mW/200mW/500mW/700mW
Hardware Included	Polar vista kit / m2 screw/Gasket Ring Menu cable/3-in-1 cable/coaxial-cable/antenna
Goggles	Work with DJI goggles
Camera	Sensor: 1/1.8" starlight cmos Min. Illumination: 0.00003Lux Lens: F/1.8 & 8 Mega Shutter: Rolling shutter ISO: 100-25800 FOV: 162°(D),138°(H),75°(V) Aspect Ratio: 16:9

Packing list

Polar vista kit	×1
M2 screws 3/4/5mm	×6
Gasket Ring	×4
3-in-1 cable	×1
Menu cable	×1

Produkt posiada dodatkowe opcje:

Kolor: Srebrny , Czarny