

Dane aktualne na dzień: 17-04-2026 05:09

Link do produktu: <https://www.nobshop.pl/stack-mamba-f722mk1-app-6s-50a-blsf55a-128k-3-6s-p-3285.html>



Stack MAMBA F722MK1 APP 6S 50A BLS/F55A_128K 3-6S

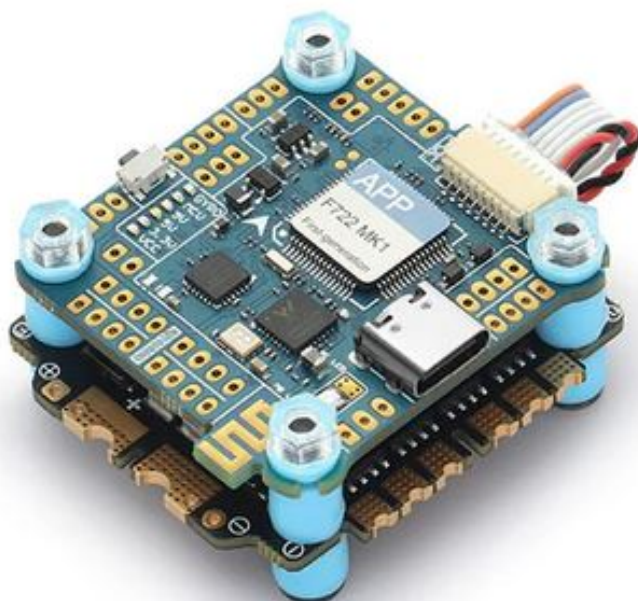
| | |
|--------------|------------------------------|
| Cena brutto | 559,99 zł |
| Cena netto | 455,28 zł |
| Dostępność | Aktualnie niedostępny |
| Czas wysyłki | 1 - 3 dni |
| Kod EAN | JH60791 |
| Producent | DIATONE |

Opis produktu

STACK MAMBA APP F722MK1



SUPER BIG SOLDERING PAD



Specyfikacja FC:

MCU: 216 MHz STM32F722RET6 32BIT

IMU: MPU Series Six-Axis

Barometr: Brak

OSD: BF OSD

Blackbox: pamięć Flash 16M

Uarty: 6

ESC Soft: Dshot300/600/1200

Telemetria ESC: RX6

Wskaźnik LED: niebieski i pomarańczowy dla stanu FC, zielony 9 V, biały 5 V, czerwony 3,3 V

Specyfikacje ESC:

MAMBA 55A F55_128K

NAPIĘCIE WEJŚCIOWE: 3 ~ 6S Lipo (12,6 V ~ 25,2 V)

PRĄD: 4 x 55A

Oprogramowanie: BLHeli_32 MAMBA F55_128K
 Protokół: Dshot300/600/1200
 Ochrona TVS: Tak
 MONTAŻ: 30,5 mm/M3

MAMBA STACK

FC :MAMBA APP F722 MK1
 ESC:MAMBA F50_BL32

Stack Specifications:

| | |
|----------------|-------------------|
| MCU | STM32F722RET6 |
| Frequency | 216MHz |
| GYRO | MPU6000 |
| OSD | AT7456E |
| Blackbox | 16M Memory |
| Uarts | 6 Set |
| Receiver | TBS/SBUS/IBUS/DSM |
| I2C | Yes |
| RSSI Pad | Yes |
| F.Port | Yes |
| Buzzer Pad | Yes |
| CURR Pad | Yes |
| ESC Signal | 4 Set |
| BEC 3.3V | 0.5A |
| BEC 5V | 3A |
| BEC 9V | 3A |
| MB LED | Yes |
| BF LED | Yes |
| WiFi | Yes |
| Input | 65 Lipo |
| TVS Protection | Yes |
| Soft Ware | Betaflight |
| Mounting | 30.5x30.5mm/M3 |
| Size | 38.0x41.5x7.5mm |
| Weight | 9.5g |

Web: www.diatone.us

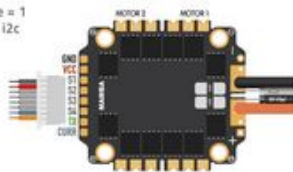
Target: MAMBAF722_I2C
 Main firmware: STM32 F7X2
 Config file: MAMBAF722_I2C

The Default Port:

| | |
|--------|----------|
| UART 1 | Receiver |
| UART 2 | Vocancy |
| UART 3 | VTX |
| UART 4 | WiFi |
| UART 5 | F.Port |
| UART 6 | TELE |



When Using Compass Magnetometer,
 Following Command:
 set mag_i2c_device = 1
 set mag_bustype = i2c



MAMBA F50_BL32 ESC

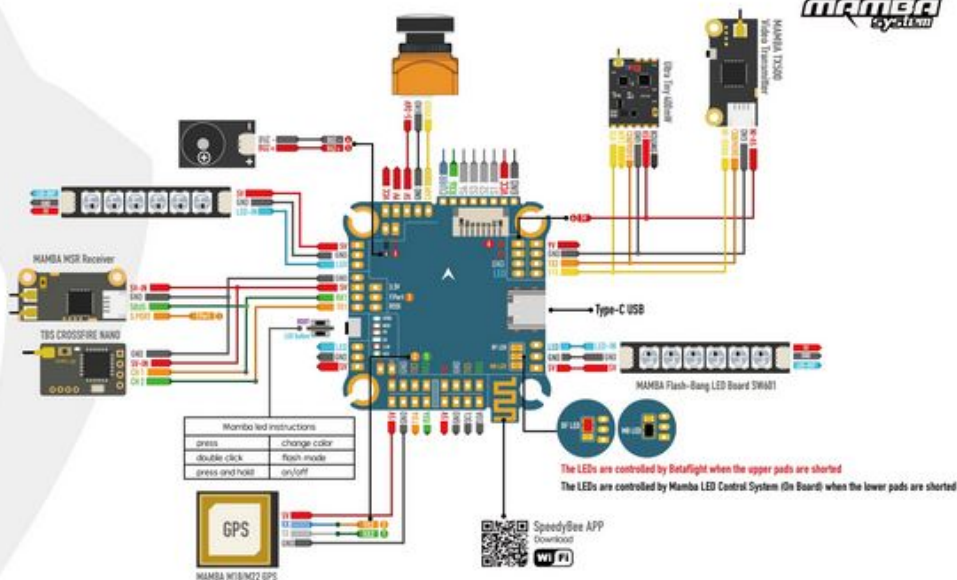


Capacitor requested when using 6S battery

| Amperage Meter | | |
|----------------|-------|-------------------|
| Battery | 0.00A | Scale(1/99th =mA) |
| | | Offset (mA) |

ESC

| | |
|----------------|--------------------|
| CURR | Yes |
| Telemetry | Yes |
| Output Current | 50A |
| Peak Current | 60A |
| Input | 3-6S Lipo |
| BLHeli | BLHeli_32 |
| Target | MAMBA F50_BL32 |
| Protocol | Dshot 300/600/1200 |
| Mounting | 30.5x30.5mm, Ø 3 |
| Size | 44.5x40.0x6.8mm |
| Weight | 14g |



The LEDs are controlled by Betaflight when the upper pads are shorted
 The LEDs are controlled by Mamba LED Control System (On Board) when the lower pads are shorted

