
Dane aktualne na dzień: 14-05-2026 04:50

Link do produktu: <https://www.nobshop.pl/silnik-iflight-xing-2506-fpv-nextgen-1500kv-long-range-p-3499.html>

Silnik Iflight XING 2506 FPV NextGen 1500KV Long Range



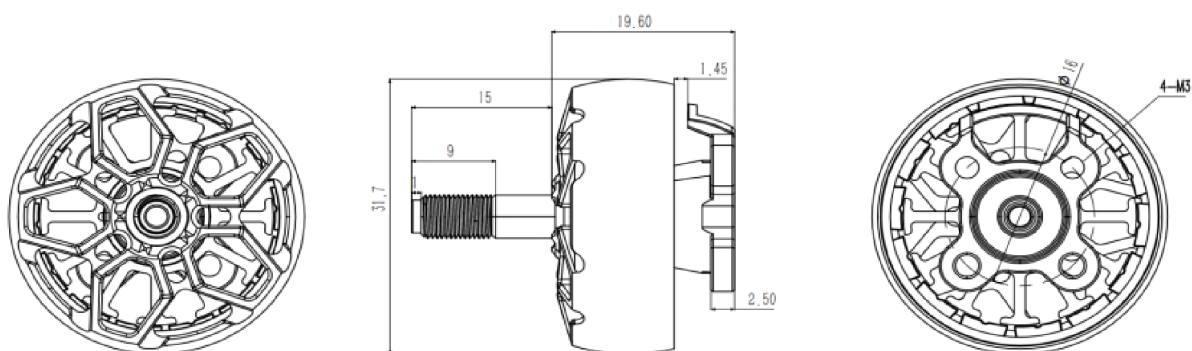
Cena brutto	119,99 zł
Cena netto	97,55 zł
Dostępność	Aktualnie niedostępny
Czas wysyłki	1 - 3 dni
Producent	iFlight

Opis produktu

Silnik Iflight XING 2506 FPV NextGen 1500KV Long Range

XING2 2506 1500KV

KV	1500KV
Weight (included wire) :	38.2g
Dimension:	φ31.7*19.6mm
Interphase resistance:	74.88mΩ
Input Volts:	25.2V
Peak Current:	33.26A
Max Watt:	817.5W
Mounting Holes:	16*16-φ3mm
Rotor specifications:	Unibell
Shaft Diameter:	5mm
Shaft Protruding Length:	15mm
Lead:	160mm/20AWG
Magnet:	N52H Curved
Configuration:	12N14P
Bearing type:	NSK
Bearing specs:	φ10*φ4*4
Winding:	Single strand copper winding
Package included:	M3*8mm screw (4PCS) / M5 Flange Nut (1PC)



Datasheet

Type	Prop (inch)	Throttle (%)	Voltages (V)	Load Curren	Pull (g)	Power (W)	Efficiency (g/W)	Temperature
XING2 2506 1500KV	HQ 6*2.5*3	50%	25.17	5.57	532	140.2	3.792	82°C
		60%	25.14	8.90	761	223.7	3.401	
		70%	25.04	12.88	1006	322.5	3.120	
		80%	24.92	18.39	1293	458.3	2.822	
		90%	24.76	24.36	1558	603.2	2.583	
		100%	24.60	31.81	1860	782.5	2.376	
XING2 2506 1500KV	GEMFAN 6030-3	50%	25.19	6.33	594	159.5	3.723	80°C
		60%	25.12	9.82	829	246.7	3.359	
		70%	25.02	14.16	1080	354.3	3.047	
		80%	24.88	19.72	1352	490.6	2.756	
		90%	24.76	25.91	1607	641.5	2.505	
		100%	24.58	33.26	1872	817.5	2.289	

