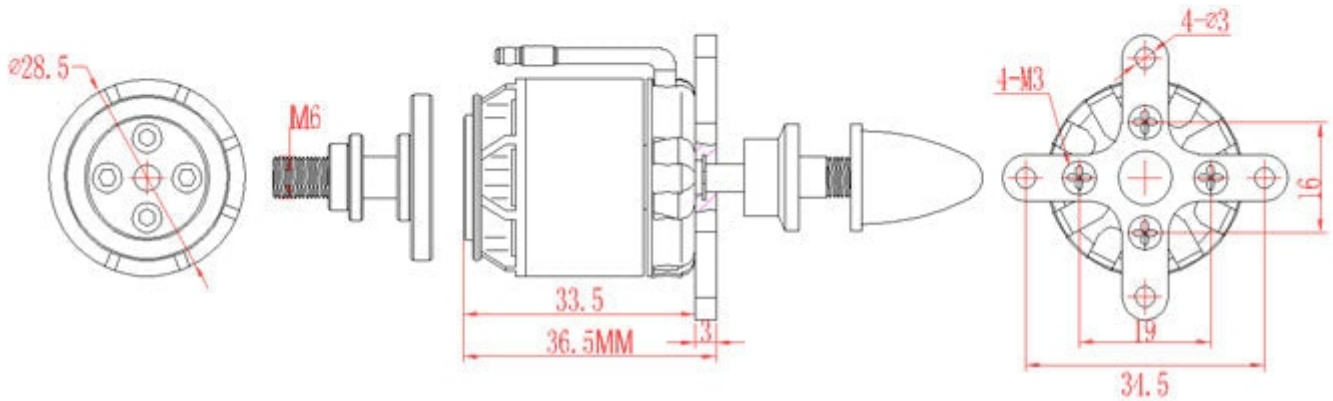


No.Of cells	2-3xLi-Poly	Model	Cell Count	RPM/V	Prop (APC)	RPM	MAX current (<60S)	Thrust
Stator dimensions	22x15mm	GT2215/12	3S	905	10x4.7	7450	15A	1000g 2.20lb
Shaft diameter	4mm		3S	905	11x3.8	7000	18A	1050g 2.31lb
Weight	70g/2.46oz	GT2215/09	3S	1180	10x4.7	8300	26A	1250g 2.76lb
Recommended model weight	300-1100g		3S	1180	10x6	8850	24A	1140g 2.51lb
Recommended prop without gearbox	10x4.7 11x3.8							



Produkt posiada dodatkowe opcje:

KV: 1180KV