

---

Dane aktualne na dzień: 09-07-2026 07:59

Link do produktu: <https://www.nobshop.pl/rama-speedybee-mario-fold-8-dc-p-4708.html>

## Rama SpeedyBee Mario Fold 8 DC



Cena brutto	<b>459,99 zł</b>
Cena netto	<b>373,98 zł</b>
Dostępność	<b>Dostępny</b>
Czas wysyłki	<b>1 - 3 dni</b>
Kod producenta	<b>MF8D-FRM</b>
Producent	<b>SpeedyBee</b>

### Opis produktu

#### **Rama SpeedyBee Mario Fold 8 DC**



### Tight and Detachable Structure

The drone's structure is designed to be as tight as possible, ensuring that all components are securely attached and can be easily detached for maintenance or upgrades.



### Strong and Impressive without Dark Corners

The drone's design is strong and impressive, with no dark corners. This ensures that all components are visible and accessible, making it easier to inspect and maintain.



### Flip to Be Compatible

The camera and mounting can be flipped for compatibility with other sensors and accessories, allowing for easy upgrades and customization.



### Synchronize the Best Angle

The drone's camera and mounting can be adjusted to the best angle for shooting, ensuring that the footage is clear and professional.



### Two Mounting Antenna Methods

The drone offers two methods for mounting antennas, providing flexibility in sensor placement and signal reception.



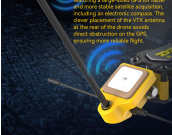
### Two Mounting Antenna Methods

The drone offers two methods for mounting antennas, providing flexibility in sensor placement and signal reception.



### Clever GPS Installation Location

The drone's GPS is installed in a clever location, ensuring accurate positioning and reliable signal reception.



### Effective Protection of Sensors

The drone's sensors are protected by a clear, durable cover, ensuring they remain clean and functional during flight.



The drone's sensors are protected by a clear, durable cover, ensuring they remain clean and functional during flight.

### Enough Space for Two Batteries








The drone has enough space to hold two batteries, providing extended flight time and easy battery swapping.










## MARIO Fold 8 DC Frame Accessories

### Standard Accessories








#### Carbon Fibers

 Top plate X1	 Central plate X1	 Bottom plate X1
 Front arm X2	 Back arm X2	 Front arm positioning X1
		 Back arm positioning X1

#### Soft Mounts

 PVC battery anti-slip adhesive X1	 tack side plate L+R X1	 300mm battery strap X2
 3D printed arm protective foot X4	 GoPro adjustable bracket X1	 3D printed antenna base X1
		 Camera side plate X2

#### Hard Mounts

 One CNC head part L+R X1	 CNC side air inlet L+R X1	 General cooling pad X1
 D46*22mm aluminum standoff X5	 D5*22mm aluminum standoff X4	 O3 antenna mount X1
		 Ratchet X1

#### Screws

 M4*3 Screw X2	 M2*7 Screw X4	 M3*6 Screw X16	 M3*10 Screw X6
 M3*14 Screw X4	 M3*16 Screw X4	 M3*22 Screw X4	 M5*22mm Screw X2
 M5 Flange Nut X2	 M3 press nut X8	 M10 screw combination X4	 7mm positioning ball X4

