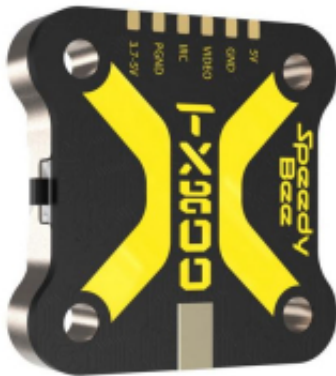


Dane aktualne na dzień: 18-06-2026 22:59

Link do produktu: <https://www.nobshop.pl/nadajnik-obrazu-vtx-speedybee-tx800-25-800mw-mmcx-p-4203.html>



## Nadajnik obrazu VTX Speedybee TX800 25-800mW MMCX

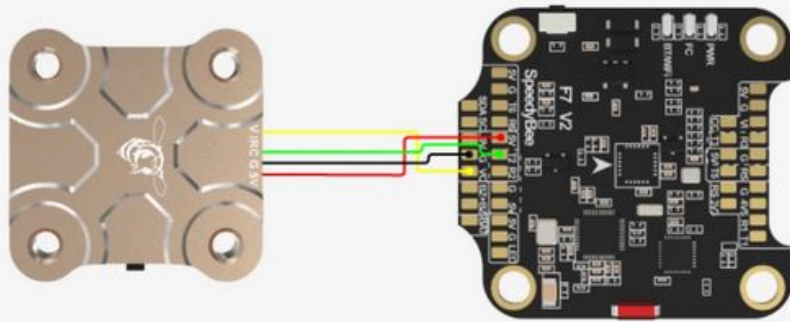
Cena brutto	<b>169,99 zł</b>
Cena netto	<b>138,20 zł</b>
Dostępność	<b>Dostępny</b>
Czas wysyłki	<b>1 - 3 dni</b>
Kod producenta	<b>SPEEDYBEE-TX800</b>
Producent	<b>SpeedyBee</b>

### Opis produktu

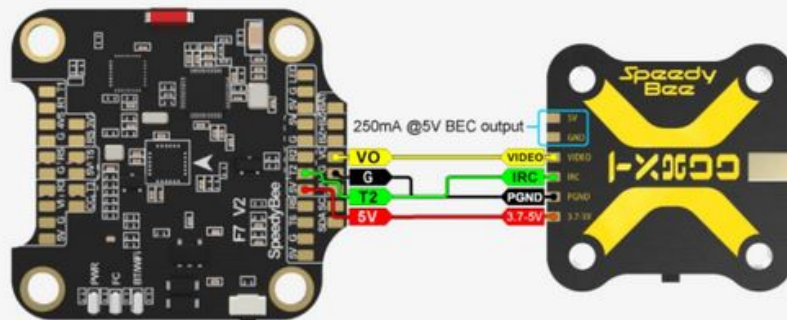
#### Nadajnik obrazu VTX Speedybee TX800 25-800mW MMCX



JST Connection:



Pad Connection:



## Support IRC Tramp Protocol

TX800 supports the IRC TRAMP protocol and the modification of video transmission parameters through the remote control, including frequency, working power and so on. If your flight controller supports Bluetooth or WiFi, you can also modify the video transmission parameters through the SpeedyBee App.

For BetaFlight flight controller firmware above BetaFlight 4.1.0, you need upload a VTX Table to the flight controller before using the remote control to modify the video transmitter parameters normally.

[download\\_SpeedyBee-TX800\(USA\).json](#)  
[download\\_SpeedyBee-TX800\(EU\).json](#)

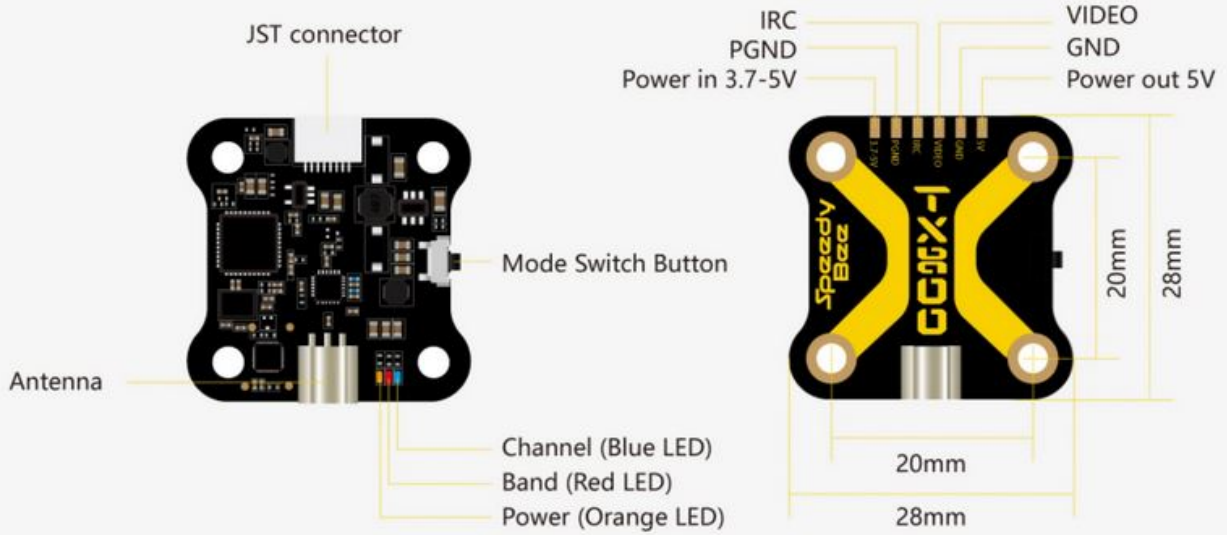
For the use of the video transmitter table, please refer to this article "[How to Setup Betaflight VTX Table - SmartAudio Tramp VTX Control](#)" by Oscar Liang.



## Pit Mode Support

When you are flying with other pilots in the same place, Pit Mode helps you to power the drone more calmly without disturbing others.

## Instruction Diagram



### LED LIGHT

CHANNEL

BAND

POWER

Blue LED  
Channel

Red LED  
Band

Orange LED  
Power

## Power Setup(Lock & Unlock)

The factory default setting is in LOCK mode with red LED blinking and only 25mW is available. You can switch to UNLOCK mode by long pressing the button for 10 seconds, and the red LED will be constant ON or OFF, but not blinking.

### Note:

Before you get VTX unlocked, it is highly recommended to know about the rules and regulations in your country about the frequency to avoid a fine or confiscation of your device.



## Package

- 1 X TX800
- 1 X MMCX antenna
- 1 X MMCX to SMA Cable
- 1 X 1.0mm 4pin Cable