

Link do produktu: <https://www.nobshop.pl/kontruler-lotu-z-esc-diatone-mamba-aio-f722-mk1-35a-6s-fc-stack-255mmm2-p-3158.html>



MAMBA AIO F722 35A MK1
(INTERNAL USB)

Kontruler lotu z ESC Diatone MAMBA AIO F722 MK1 35A 6S FC Stack 25.5mm/M2

Cena brutto	419,99 zł
Cena netto	341,46 zł
Dostępność	Aktualnie niedostępny
Czas wysyłki	1 - 3 dni
Kod producenta	JH60320
Kod EAN	JH60320
Producent	DIATONE

Opis produktu

Specification

Note Vista not Included

MAMAB AIO 35A F722MK1 (INTERNAL USB)

FC Specifications

MCU: 216MHz **STM32F722RET6**

GYRO: MPU6000

Barometer: Yes

OSD: Yes

Blackbox: NO

Uarts: 5 Set

ESC Soft: Dshot300/600

Power Led: Yes

LED Controller: BF LED

F.Port: Yes

RSSI: No

Buzz: Yes

Input: 2~6S Lipo (8.4~25.2V)

TVS Protection: Yes

BEC: 5V 2.5A

MOUNTING: **25.5mm,M2**

ESC Specifications

MAMAB AIO 35A F722MK1 (**INTERNAL USB**)

INPUT VOLTAGE: 2~6S Lipo (8.4V~25V)

CONTINUE CURRENT: 35A×4

BURST CURRENT: 45A (10S)

Target **BLHeli_S GH30**

SOFT: **Dshot300/600**

Supply :
 High-Frequency 470uF/35V x1
 7pin sh1.0 x2
 16AWG 60mm x2
 AMASS Original XT60

Caddx Vista nie wchodzi w skład zestawu.

MAMBA STACK

FC:MAMBA AIO F722 35A MK1 (EXTERNAL USB)
 ESC:6S/35A



Stack Specifications:

MCU	STM32F722RET6
Frequency	216MHz
GYRO	MPU6000
OSD	AT7456E
Barometer	Yes
Uarts	5 Set
Receiver	TBS/SBUS/IBUS/DSM
I2C	Yes
RSSI Pad	Yes
F.Port	Yes
Buzzer Pad	Yes
CURR Pad	Yes
ESC Signal	4 Set
BEC 5V	2.5A
BF LED	Yes
Input	6S Lipo
TVS Protection	Yes
Soft Ware	Betaflight
Mounting	25.5x25.5mm/M2
Size	34x34x5.7mm
Weight	8.0g

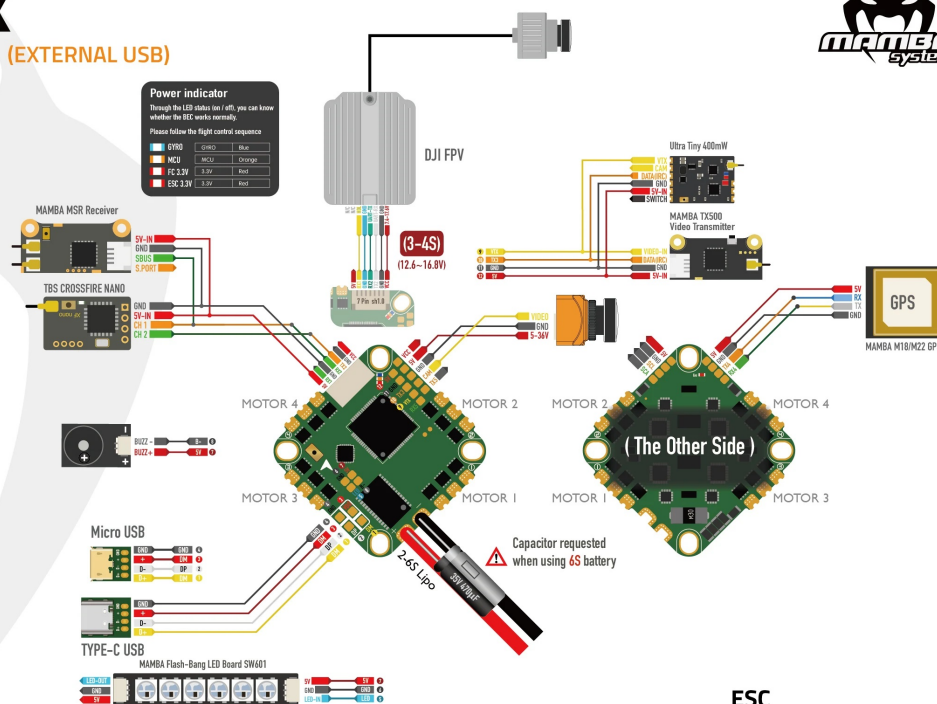
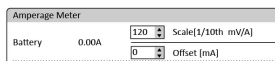
Web: www.diatone.us

Target: **Target: MAMBAF722_I2C**
 Main firmware STM32 F7X2
 Config file MAMBAF722_I2C

The Default Port:

UART 1	Receiver
UART 2	DJI
UART 3	VTX
UART 4	Vacancy
UART 5	Vacancy

When Using Compass Magnetometer,
 Following Command:
 set mag_i2c_device = 1
 set mag_bustype = i2c



ESC

CURR	Yes
Output Current	35A
Peak Current	45A
Input	6S Lipo
BLheli	BLheli-5
Target	GH30
protocol	Dshot 300/600
Mounting	25.5mm,Ø2